



) omniSHAPES

EYEVIS MICROLINE

The flexible display solution

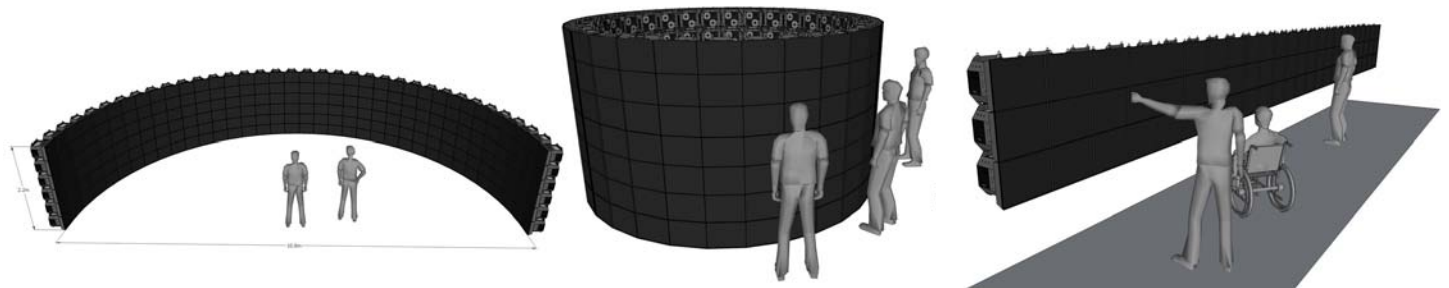
) PRODUCT DESCRIPTION

The new small display cubes omniSHAPES represent a step forward in digital display evolution. For the first time it is possible to have not only rectangular displays, but also polygonal screens of almost any shape. The funnel shaped design of the housings further allows realizing curved screens in concave or convex configuration. There are virtually no more limits regarding video wall design or shape.

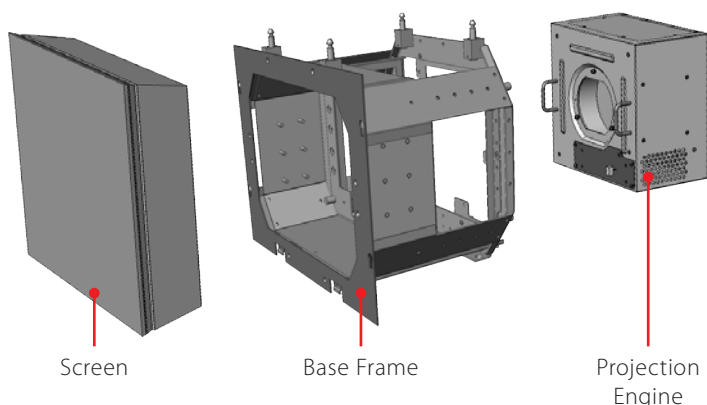
omniSHAPES are based on a 1-Chip DLP® projection engine with LED technology, combined with a robust metal frame unit which interfaces with adjacent frames and the screen unit. The modular concept of the product comprises three components: the projection screen, the base frame and the projection engine. This provides great flexibility, allowing a choice of base frames and projection screens in different shapes and sizes to be used with the standard projection engine which also provides automatic colour and brightness adjustment. Each „shape“ is equipped with an internal processing unit, negating the need for external picture processing devices.



) POSSIBLE CONFIGURATIONS



) MODULAR DESIGN



) THE ADVANTAGES AT A GLANCE

-) Pin-sharp images even when viewed from short distances
-) Rectangular shapes, six sided shapes, five sided shapes, and customized shapes on request
-) Concave, straight or convex arrangements
-) DVI loop through, Input: DVI Single Link up to 2k resolution
-) Internal Processing, no external device required
-) Automatic colour tracking for long term colour and brightness stability
-) Building block architecture: Projector unit is independent and can be easily be dismantled from the product to the rear or the front
-) LED: individual LEDs for RGB guarantee best colour gamut
-) LED powered: more than 60.000 hours durability, no projector lamps, no colour wheel

) TECHNICAL SPECIFICATIONS

) Display Properties

| | |
|--------------------------|---|
| Brightness: | typ. 530cd/m ² @ 6500K (calibrated system with CP Screen) max. 650cd/m ² |
| Color temperature: | 2800K to 15000K |
| Color Space: | - Wide (120% NTSC) - Normal (sRGB) - High Brightness |
| Contrast: | typ. 800:1 (static full on/full off) |
| Resolution: | Native: 1280x800 pixel, effective screen resolution (rectangular 4:3 SHAPE): 1024x768 pixel |
| Pixel Pitch: | 0.469 x 0.469mm |
| Screen: | CP or BB (CrossPrism -> higher brightness, BlackBead -> better viewing angle) |
| Mullion (gap distance) : | typ. 0.8mm (+0.5 / -0.1) between adjacent omniSHAPES: typical at 25°C (77°F) ambient |
| LED Life-time: | ≥60,000 hours (time till 50% brightness) |

) Environmental:

| | |
|-----------------------|--|
| Operating Conditions: | Temperature: recommended 15 - 25 °C; 5 - 35 °C; for seamless screen 15 - 28 °C Humidity: 0% - 80 % not condensating |
| Storing: | 0 - 50 °C |
| Thermal Dissipation: | approx. 200BTU/h (typical), approx. 270BTU/h (all full brightness) |
| Noise Level: | typ. ≤30dBA |

) Communication

| | |
|--------------|---|
| Connection: | RS232 or LAN |
| Loop-through | RS232 loop-through for inter-connectivity |
| Software: | omniSHAPES Designer Software for management and adjustment (offline design also possible) |

) Input Signal

| | |
|----------------|--|
| Type: | Single Link DVI-D input and loop-through. Resolution up to 2K (2048x1200@60Hz) |
| Framerate: | 48Hz to 75Hz (resolution dependent) |
| Matrix/Tiling: | Internal scaling and image mapping. No external controller is needed. |

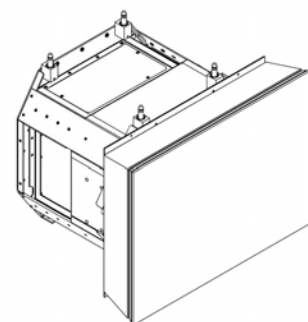
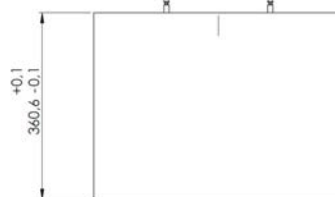
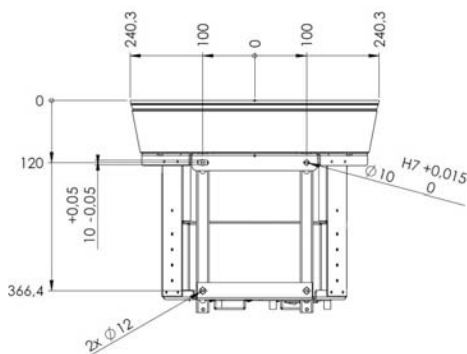
) Electrical

| | |
|--------------------|---|
| Power Supply: | AC 110V/220V, 50Hz/60Hz |
| Power consumption: | 58W (typ., i.e. adjusted system @ 70% brightness), 80W (max.; i.e. adjusted system @ full brightness) |

) Mechanical

| | |
|--------------------|---|
| Screen Dimensions: | Rectangular (4:3): 480mm x 360mm (23.6" diagonal) |
| Required Space: | Minimum installation depth 550mm (entire unit + required space for ventilation) |
| Weight: | 12,9 kg (without cable and connection parts) |

) DIMENSIONS



eyevis GmbH

Hundsschleestr. 23 • 72766 Reutlingen • Germany
Phone: + 49 (0) 7121 43303 - 0 • Fax: + 49 (0) 7121 43303 - 22
www.eyevis.de • info@eyevis.de

As at: 10.10.2011/V1.0 • Subject to change!

All trademarks and registered trademarks are the property of their respective owners. Copyright © 2011 eyevis GmbH. All rights reserved.