

# KVM Accessories 7.3

## KVM Accessories

Space-saving fasteners for racks mounting



**Leading the way in digital KVM**

## The company



## Leading the way in digital KVM

Guntermann & Drunck GmbH has been established in 1985 and is named after its founders. Over 25 years have since past, and we are now a leading manufacturer of digital and analog KVM switching systems.

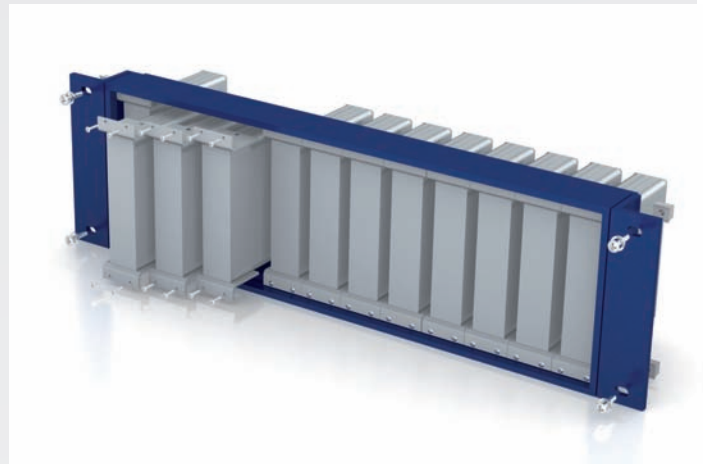
As an owner-managed company we work with a broad range in both digital and analog KVM closely with the marketplace and make our decisions with and in the interests of our customers. It is our philosophy to meet our customers while making decisions, to accompany them in the process and ensure that they achieve their goals.

We can do this because as a medium sized company we have short communication paths and all core competencies are in house – from development through to production. This way we can even make the impossible possible at times. If it is thanks to the modularity of the products or by implementing a customised solution. We orient ourselves towards the needs of the customer – and not the other way round.

Organisations, service providers and companies of all sizes managing numerous computers, servers and other network devices trust the comprehensive advice and service provided by Guntermann & Drunck GmbH.

Thanks to these different fields of specialisation, the demands placed on the products are many and are manifold. Our products have to provide a long-life service, be secure, uncomplicated, user-friendly, understandable and adaptable.

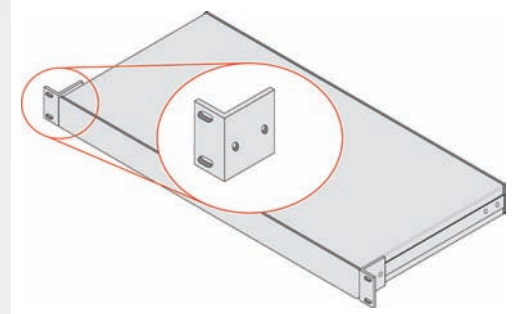
KVM Accessories are useful additions to the G&D KVM products. G&D offers space-saving fasteners for horizontal or vertical racks or under-desk mounting.



DeviceCarrier - Front view

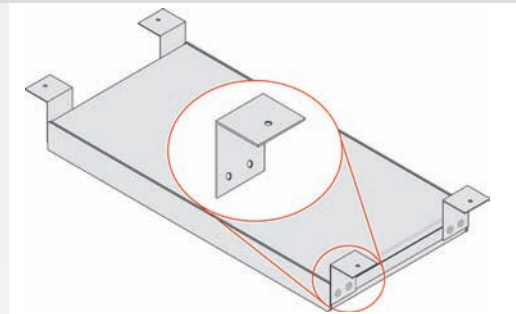
## Rack-Mount-Sets

Mounting and screws sets for rack mounting: The mounting sets are available for devices of different heights and mounting directions.



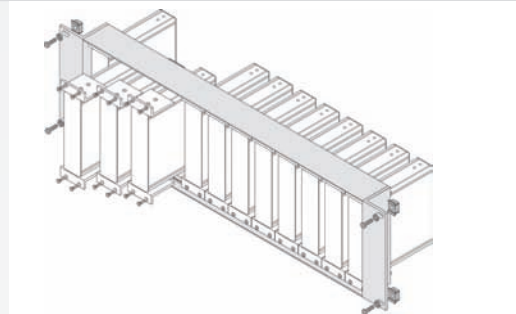
## Table-Mount-Sets

Mounting sets for under-desk mounting. The mounting sets are available for different types of devices.



## Device Carrier

Space-saving mounting solutions for all G&D devices that are housed in small aluminium housings (W x H: 105 x 26 mm).



## Rack-Mount-Sets

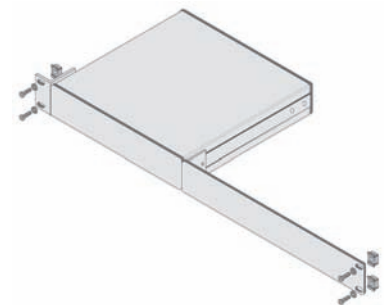
With G&D various rackmount sets, users can mount KVM devices in clearly arranged server racks. Depending on the width of your devices, you can choose between the following sets:

### 19" RM-Set 160, 210, 270

Horizontal rack mount set for devices housed in 160, 210 or 270 mm standard aluminium casings.

The sets are available for the following heights:

- 160 mm A7000021 (e.g.: miniMUX2)
- 210 mm A7000022 (e.g.: DVIMUX2-DL)
- 270 mm A7000023 (e.g.: DVIMUX4, miniMUX4)
- 210 mm-1,5 U A7000025 (e.g.: DVIMUX2-DL-MC2-PS/2-RM)
- 270 mm-1,5 U A7000026 (e.g.: miniMUX4-MC3-RM)
- 210 mm-2 U A7000027 (e.g.: Dual-UserCenter2-RM)
- 270 mm-2 U A7000028 (e.g.: miniMUX4-MC4-RM)

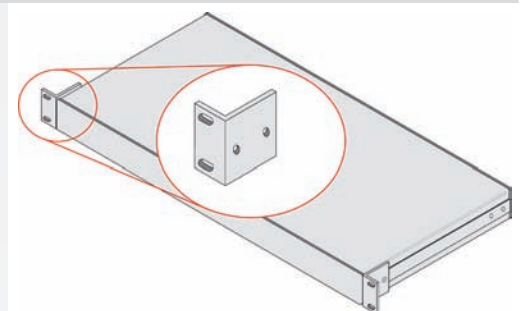


### 19" RM-Set 435

Horizontal rack mount set for devices housed in 435 mm wide standard aluminium casings.

The sets are available for the following heights:

- 1 U A7000003
- 1.5 U A7000010
- 2 U A7000008
- 3 U A7000015



## Rack-Mount-Sets

### 19“ RM-Set 435-Typ2

Horizontal rack mount set for devices housed in 435 mm wide casings that deviate from standard casings. (e.g. DVIVision-MC4 or FIBREVision-MC4).

The set is available for the following heights:

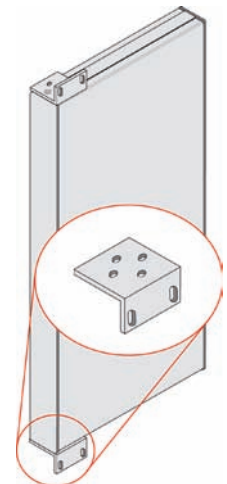
- 1 U A7000011

### 19“ RM-Set 435-Typ3

Vertical rack mount set for devices housed in 435 mm wide standard aluminium casings.

The sets are available for the following heights:

- 1 U A7000014



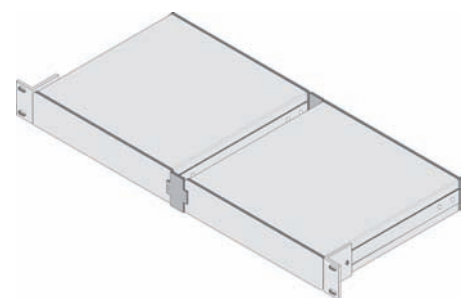
### 19“ RM-Set-Twin-435-1HE

Horizontal TWIN set for rack mounting, for any 1U devices housed in a standard 210 mm aluminium casing.

Combine any 1U device housed in a 210 mm casing and create a space-saving TWIN solution (e.g. DVIMUX2-DL and DVIVision).

The set is available for the following rack units:

- 1 U Twin Set A7000024



### 19“ Mounting Standard

Screw set for mounting 19“ devices with a 483 mm front panel.

- Screw-Set: A7000001

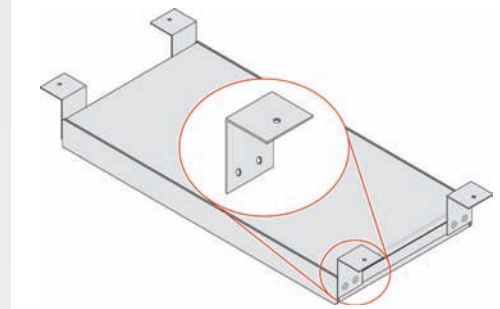
## Table-Mount-Sets

### Table-Mount-Set Typ1

Set for under-desk mounting, suitable for devices housed in a up to 435 mm standard aluminium casing.

The set is available for the following heights:

- 1 U    **A7000012**



### Table-Mount-Set Typ2

Set for under-desk mounting, suitable for devices housed in a 435 mm standard aluminium casing that deviate from standard casings (e.g. DVIVision-MC4 oder FIBREVision-MC4).

The set is available for the following heights:

- 1 U    **A7000013**

## Device Carrier

Depending on the DeviceCarrier, you can save space by placing up to 3 devices on 1 U or up to 12 devices on 3 U.

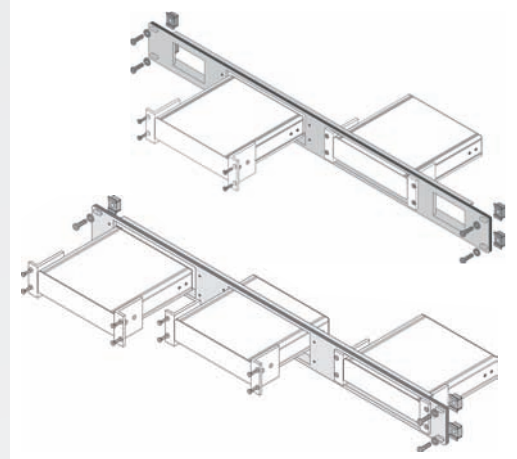
### 1-U DeviceCarrier

The 1U DeviceCarrier can store two or three devices in small aluminium housings.

- A7000034** 19"1U DeviceCarrier 1x105-26
- A7000017** 19"1U DeviceCarrier 2x105-26
- A7000018** 19"1U DeviceCarrier 3x105-26

Depending on how many devices you want to install, please also order:

- A7000020** CaseMount-Set-105-26



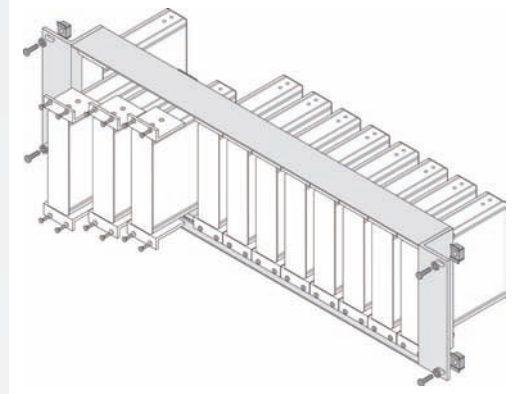
### 3-U DeviceCarrier

The 3U DeviceCarrier stores up to 12 devices in small aluminium housings. The device is vertically installed.

- A7000019** 19"3U DeviceCarrier 12x105-26

Depending on how many devices you want to install, please also order:

- A7000020** CaseMount-Set-105-26





## List of Item Numbers Rack-Mount-Sets

Item No.	Description
<b>19" RM-Set 160, 210, 270</b>	
A7000021	RM-Set 160 mm (miniMUX2)
A7000022	RM-Set 210 mm (DVIMUX2-DL)
A7000023	RM-Set 270 mm (DVIMUX4, miniMUX4)
A7000025	RM-Set 210 mm-1,5 U (DVIMUX2-DL-MC2-PS/2-RM)
A7000026	RM-Set 270 mm-1,5 U (miniMUX4-MC3-RM)
A7000027	RM-Set 210 mm-2 U (Dual-UserCenter2-RM)
A7000028	RM-Set 270 mm-2 U (miniMUX4-MC4-RM)
<b>19" RM-Set 435</b>	
A7000003	RM-Set 435 mm 1U
A7000008	RM-Set 435 mm 2U
A7000010	RM-Set 435 mm 1,5U
A7000015	RM-Set 435 mm 3U
<b>19" RM-Set 435-Typ2</b>	
A7000011	RM-Set 435 mm Typ2, 1U
<b>19" RM-Set 435-Typ3</b>	
A7000014	RM-Set 435 mm Typ3, 1U
<b>19" RM-Set-Twin-435-1HE</b>	
A7000024	RM-Set-Twin-435-1U
<b>19" Mounting Standard</b>	
A7000001	Screw set for mounting 19" devices with a 483 mm front panel

## List of Item Numbers Table-Mount-Sets

Item No.	Description
A7000012	Table-Mount-Set Typ1-1U
A7000013	Table-Mount-Set Typ2-1U (e.g. DVIVision-MC4 or FIBREVision-MC4)

## List of Item Numbers Device Carrier

Item No.	Description
<b>1-HE DeviceCarrier</b>	
A7000034	19"1U DeviceCarrier 1x105-26
A7000017	19"1U DeviceCarrier 2x105-26
A7000018	19"1U DeviceCarrier 3x105-26
A7000020	CaseMount-Set-105-26
<b>3-HE DeviceCarrier</b>	
A7000019	19"3U DeviceCarrier 12x105-26





























## Legend

### ABBREVIATIONS

CPU	=	Computer module	M	=	Multimode
PC	=	Computer module	S	=	Singlemode
CON	=	User module	RM	=	For assembly in a 19" rack
REM	=	User module	DT	=	Available as desktop variant
MC2	=	Multichannel 2	A	=	Audio
MC3	=	Multichannel 3	AR	=	Audio + RS232
MC4	=	Multichannel 4	R	=	RS232
			U	=	transparent USB 1.1
			U2	=	transparent USB 2.0
			D	=	Delay

### EQUIPMENT FEATURES

	=	modular setup		=	Fire Wire
	=	keyboard/mouse		=	VT100
	=	dual-link DVI video		=	KVM IP access
	=	single-link DVI video		=	Network connection
	=	DisplayPort 1.1		=	Web interface
	=	single-link DVI + VGA		=	DevCon support
	=	VGA video		=	Monitoring
	=	Audio		=	CAT cable
	=	RS232		=	Fiber optics
	=	USB 1.1		=	Single user
	=	USB 2.0		=	Multi user
	=	Delay		=	Separat local/remote user
	=	Screen Freeze			
	=	Power Switching			