



) EYE-LCD-5500-NB

eyevis LCD Series

) PRODUCT DESCRIPTION

eyevis' new 55" (ca. 140cm) Full-HD LCD Monitor with narrow bezel.

The new EYE-LCD-5500-NB narrow bezel display represents the cutting-edge of direct-view LCD technology. It combines ultra-high resolution and unparalleled image quality with configurable I/O in a large format for a wide range of digital signage and control-room application.

With eyevis' unique optical enhanced treatment, it not only provides clear viewability under strong ambient light, but also ensures added durability and strength in almost every ambient light condition.

Thanks to the slim design the displays are the ideal surface for the presentation of your image content.

The narrow bezel design of the displays allows installing them even in tiled video wall installation without major gaps between the images of neighbouring screens.

) ADVANTAGES OF THE EYE-LCD-5500-NB

) Superior Resolution & High Brightness

Full-HD 1080p (1920 x 1080) & 700 700 cd/m² (40% brighter than normal monitors)

) Narrow Bezel Design

The slim bezel of the displays of only 17.4 mm allows the installation in tiled video wall configurations

) Ultra-Wide Viewing Angle

178 degree viewing angle

) IRFM™

Image Retention Free Modulator technology helps prevent image retention

) Prolonged Life

50,000 hours of viewing time to half of its original brightness

) Configurable I/O

IN: Standard DisplayPort, HDMI, DVI, VGA, S-Video, Component, Video (BNC).

OUT: VGA, DVI, and Video (BNC)

) Durable and Professional Design

All metal structure, Sleek & low-key look that makes the content stand out

) Wide Compatibility

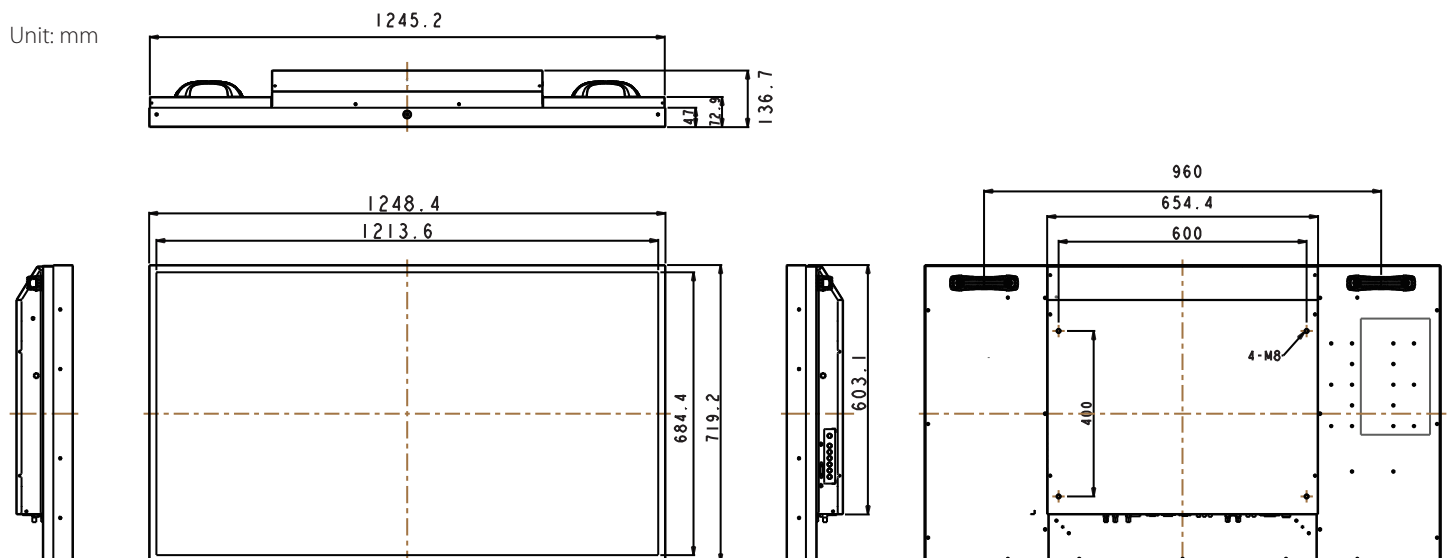
Extensively tested with a broad variety of analog/digital PC and video modes.

) IPC Mounting Space on Back Panel

8.7 x 8.7 x 2.3 inch mounting space reserved for IPC / Player

) DIMENSIONS

Unit: mm



) EYE-LCD-5500-NB



eyevis LCD Series

) TECHNICAL SPECIFICATIONS

) LCD Panel

Brightness	700 cd/m ²
Contrast Ratio	5000:1
Viewing Angle	H:178° / V:178°
Response Time	8 ms (GTG)
Supported Colors	16.7M colors
Display Resolution	1920 x 1080 (16:9)
Display Frame Rate	60Hz

) Signal Compatibility / Connectivity

H / V Frequency	30 ~ 80 KHz / 56 ~ 75 Hz
Input Resolution	1920 x 1080 @ 60Hz (Analog) 1920 x 1080 @ 60Hz (Digital)
Connector	Input : DisplayPort / HDMI 1.3c x 2 / DVI / VGA / S-Video / Component / Video(BNC) Output : DVI / VGA / Video(BNC)
Audio Out	PC Audio In / Line Out
Communication Port (Transport Protocol)	D-Sub 9 Pin In, RJ45 In/Out (RS232C In, RS-485 In/Out)

) Mechanical

Dimensions (WxHxD)	1248.4 x 719.2 x 136.7 mm (49.15 x 28.31 x 5.38 inch)
Weight	Net: 54 kg / 119.05 lbs
Wall / Arm Mount Type	600 mm x 400 mm VESA
Fanless Design	Yes
Bezel	17.4 mm

) OSD Functions

OSD Control Function	RS232C, Push Button, IR Remote Controller
OSD Language Function	English, Chinese
OSD Lock	Yes
Multimedia Function	PIP, PBP (side by side) , Zoom
Source Auto Detect Function	Yes
Frameless Function	Yes

) Electrical

Power Supply	AC in: AC 100V ~ 240V (50/60 Hz)
Power Output	AC out: 100V ~ 240V (2A)

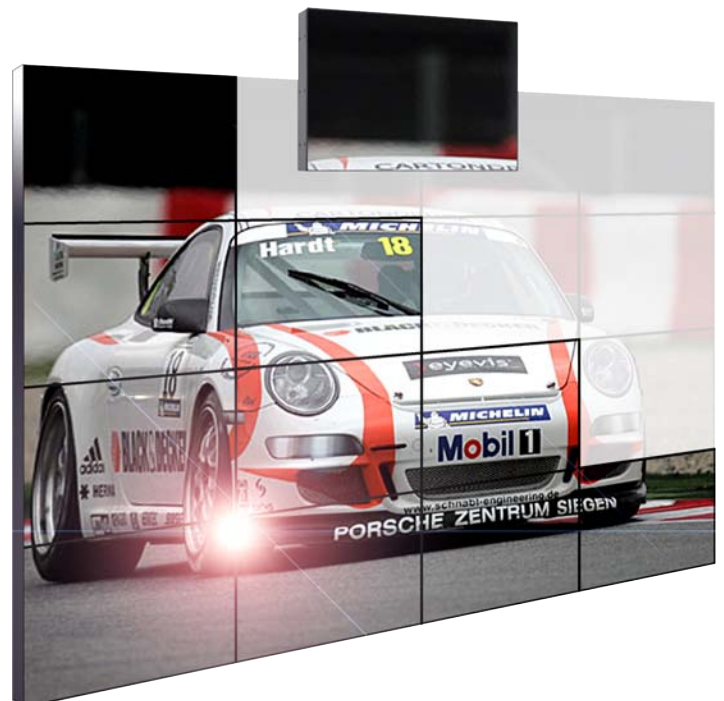
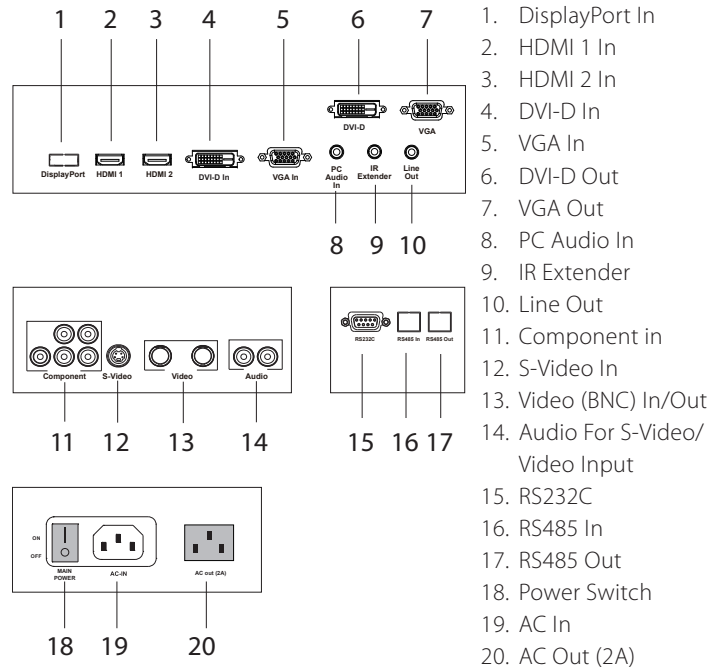
) Environmental

Operating Temperature	0 °C ~ 35 °C, 85% RH
Storage Temperature	-20 °C ~ 60 °C, 85% RH

) Options

Installation	Different wall mounts and stands available on request
--------------	---

) INPUTS & OUTPUTS



eyevis GmbH

Hundschleestr. 23 • 72766 Reutlingen • Germany
Phone: + 49 (0) 7121 43303 - 0 • Fax: + 49 (0) 7121 43303 - 22
www.eyevis.de • info@eyevis.de

As at: 17.11.2011/V1.2 • Subject to change!

All trademarks and registered trademarks are the property of their respective owners. Copyright © 2011 eyevis GmbH. All rights reserved.