



) EYE-LCD-4600-LE-TOUCH-xIR

eyevis LCD Series
with Edge-LED Backlight
and Touch Surface

) PRODUCT DESCRIPTION

eyevis' new 46" Full-HD Edge-LED Touch LCD Monitor

The new EYE-LCD-4600-LE-TOUCH-xIR display represents the latest version from eyevis professional edge-LED display versions. It combines high resolution and unparalleled image quality with a slim design and low power consumption for a wide range of digital signage and control-room application.

With eyevis' unique optical enhanced treatment, it not only provides clear viewability, but also ensures added durability and strength in almost every ambient light condition.

The infrared touch surface is available with different numbers of touch points. The durable touch system is the perfect choice to provide interactive display contents and interoperability to the viewer.



) ADVANTAGES OF THE EYE-4600-LE-TOUCH-xIR

) Superior Resolution & High Brightness

Full-HD 1080p (1920 x 1080)

) Ultra-Wide Viewing Angle

178 degree viewing angle horizontally & vertically

) IRFM™

Image Retention Free Modulator technology helps prevent image retention

) Energy Saving Control

Low power consumption thanks to Edge-LED backlight

) Wide Compatibility

Extensively tested with a broad variety of analog/digital PC and video modes.

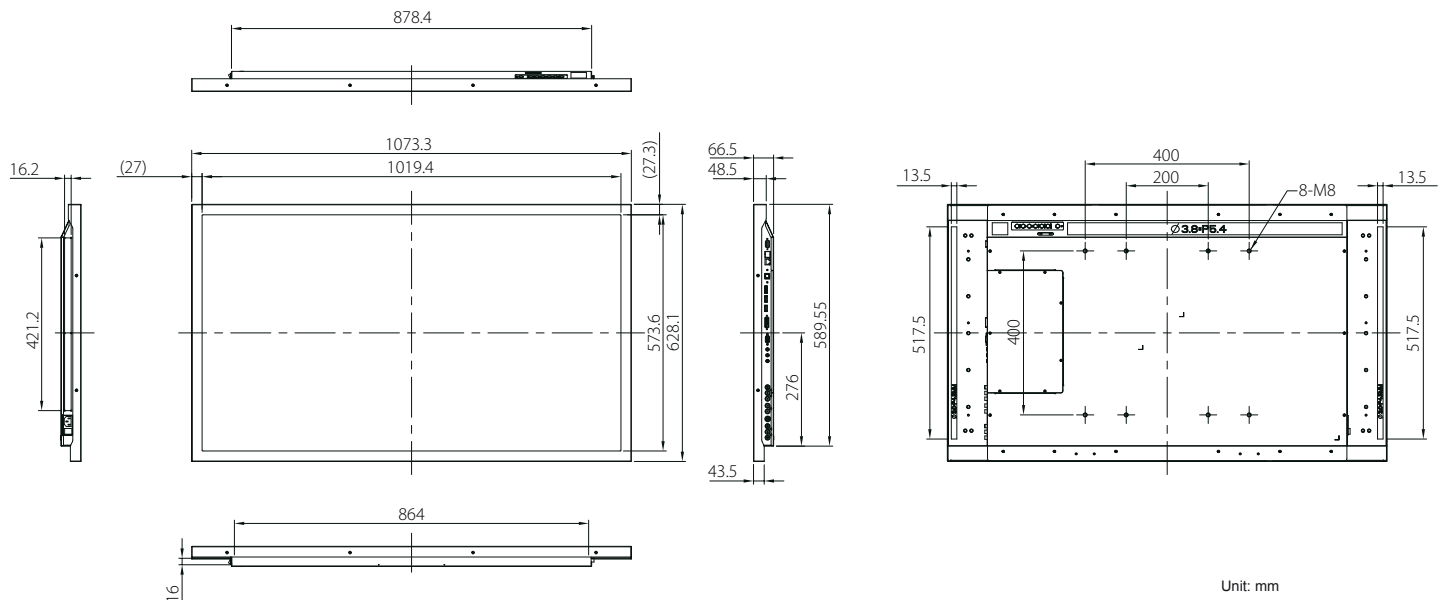
) Durable and Professional Design

All metal structure, Sleek & low-key look that makes the content stand out

) Touch Surface

Infrared touch surface with two, six or 32 simultaneous touch points.

) DIMENSIONS



) EYE-LCD-4600-LE-TOUCH-xIR



eyevis LCD Series
with Edge-LED Backlight
and Touch Surface

) TECHNICAL SPECIFICATIONS LCD

) LCD Panel

Brightness	600 cd/m ²
Contrast Ratio	3000:1
Viewing Angle	H:178° / V:178°
Response Time	10 ms (GTG)
Supported Colors	1.07 G Colours
Display Resolution	1920 x 1080 (16:9)
Display Frame Rate	120Hz

) Signal Compatibility / Connectivity

Horizontal Frequency	15 ~ 94 KHz (Digital) / 23 ~ 92 KHz (Analog)
Horizontal / Vertical Frequency	23 ~ 85 Hz (Digital) / 49 ~ 86 Hz (Analog)
Input Resolution	1920 x 1080 @ 60Hz (Analog) 1920 x 1080 @ 60Hz (Digital)
Connector	1x DisplayPort / 2x HDMI 1.3c / 1x VGA / 1x DVI / 1x Component / 1x S-Video / 1x AV
Audio Out	Line Out / Speaker Out
Communication Port	RS232C In, Ethernet

) Mechanical

Dimensions	1073.3 x 628.1 x 66.5 mm
Bezel Width	27.3 mm
Weight	33 kg
Wall / Arm Mount Type	400 x 400mm / 200 x 400 VESA
Fanless Design	Yes

) OSD Functions

OSD Control	RS232C, Push Button, IR Remote Controller
OSD Language	English, Chinese
OSD Key Lock	Yes
Multimedia Function	PIP, PBP (side by side), Zoom
Source Auto Detect Function	Yes

) Electrical

Power Supply	AC in: AC 100V ~ 240V (50/60 Hz)
Normal Operation	≤ 185W (typ.)
Power Off	≤ 1 W (typ.)
Internal Speaker	4Ω/10 Wx2

) Environmental

Operation	0 °C ~ 35 °C, 85% RH
Storage	-20 °C ~ 60 °C, 85% RH

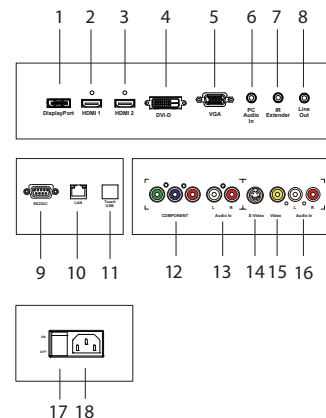
) Options

Touch Point Options	2 Points -> EYE-LCD-4600-LE-TOUCH-2IR 6 Points -> EYE-LCD-4600-LE-TOUCH-6IR 32 Points -> EYE-LCD-4600-LE-TOUCH-32IR
Other	Metal Stands, Wallmounts

) TECHNICAL SPECIFICATIONS TOUCH

Glass	4 mm ESG safety glass (optional with anti-reflective foil lamination)
Touch points	2, 6 or 32 points (simultaneous)
Touch technology	Infrared
Touch method	Finger, gloved hand or any other pointer minimum radius 6 mm
Touch activation force	No pressure required
Touch accuracy	+/- 3mm (for 40" screen) over the entire touch sensitive area, USB reported touch resolution 32767 x 32767
Response time	7ms - 12ms
Calibration	Four-point calibration (requires multi-touch platform software)
Connection	USB 2.0 (B socket)
Operating system	Win 2000, XP, Vista, Win 7, Mac OS X
Software	Multi-Touch Platform Software + Touch Screen Driver

) INPUTS & OUTPUTS



- | | |
|----------------|-----------------------------|
| 1. DisplayPort | 10. LAN |
| 2. HDMI 1 | 11. Touch USB |
| 3. HDMI 2 | 12. Component |
| 4. DVI-D | 13. Audio In(Component) |
| 5. VGA | 14. S-Video |
| 6. PC Audio In | 15. Video |
| 7. IR Extender | 16. Audio In(S-Video/Video) |
| 8. Line Out | 17. Power Switch |
| 9. RS232C | 18. AC In |



eyevis GmbH

HundschleeStrasse 23 • 72766 Reutlingen • Germany
Phone: + 49 (0) 7121 43303 - 0 • Fax: + 49 (0) 7121 43303 - 22
www.eyevis.de • info@eyevis.de

As at: 11.05. 2012/V1.0 • Subject to change!

All trademarks and registered trademarks are the property of their respective owners. Copyright © 2012 eyevis GmbH. All rights reserved.